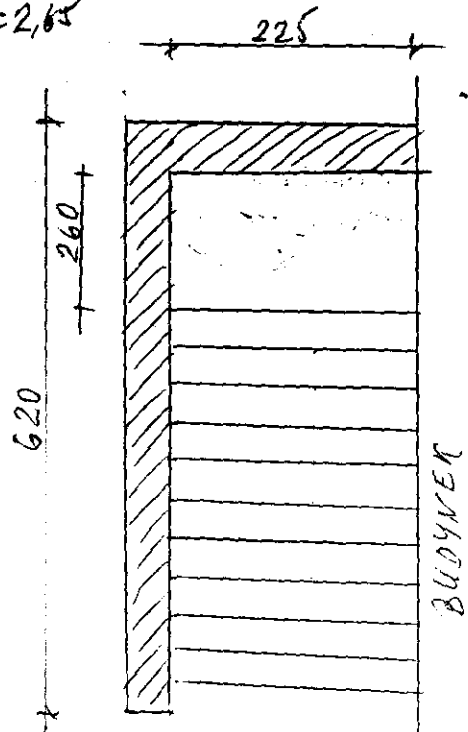
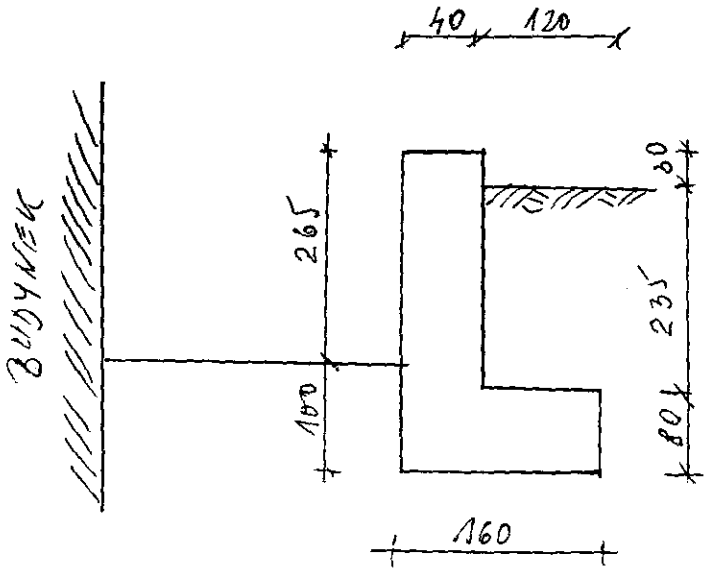


Szkic zbrojenia muru oporowego

Zet. Nr 7 ob
S1W2

H=2,65



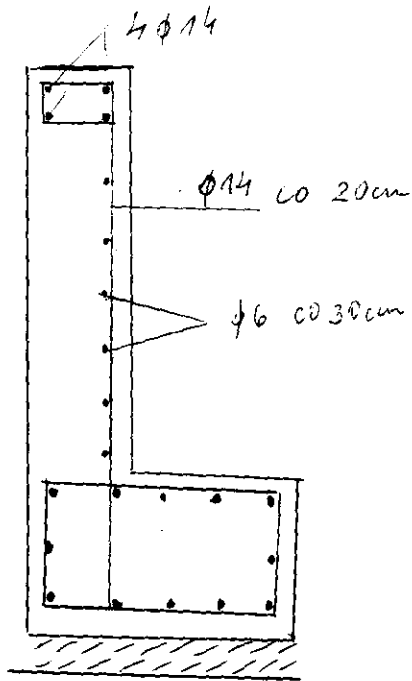
$$\text{BETON } (3,65 \times 0,40 + 1,20 \times 0,80) \times (6,20 + 2,25) = (1,46 + 0,96) \times 8,45 = 20,45 \text{ m}^3 = 51,12 \text{ m}^2$$

$$\text{CIUDY BETON } 1,60 \times 8,45 \times 0,10 = 1,35 \text{ m}^3$$

$$\text{ZBROJENIE } \phi 14 \text{ obf. } 8,90 \times 56 + 8,45 \times 4 =$$

$$498,4 + 33,8 = 540,0 \text{ m} \times 1,21 = 660,0 \text{ kg}$$

$$\phi 6 \text{ obf. } 8,45 \times 22 \text{ szt.} = 186,0 \text{ m} \times 0,222 = 42,0 \text{ kg}$$



CIUDY BETON 10cm.

